

5818MNL

RECESSED DOOR/WINDOW TRANSMITTER



Honeywell's 5818MNL Recessed Door/Window Transmitter is a magnetic contact sensor that provides concealed protection for doors or windows. With its tapered design and at nearly half the size of standard transmitters, the 5818MNL is another example of how Honeywell's wireless technology is continually evolving to meet customer needs.

FEATURES

- Includes self-contained transmitter and reed sensor
- Easy replaceable AAA Lithium battery
- Virtually disappears once installed
- 0.5" gap (transmitter to magnet)
- Features a tapered cylinder for easy and flush fit

SPECIFICATIONS

Dimensions

- 0.75" diameter x 3.0" length
- (19mm x 76.2mm)

Power Source

- 1.5VDC, AAA Lithium battery (supplied)
- or 1.5VDC, AAA Alkaline battery

Operating Temperature

- 32°F to 122°F (0°C to 50°C), non-condensing

Gap

- 0.5" (12.7mm) make distance

Transmit Frequency

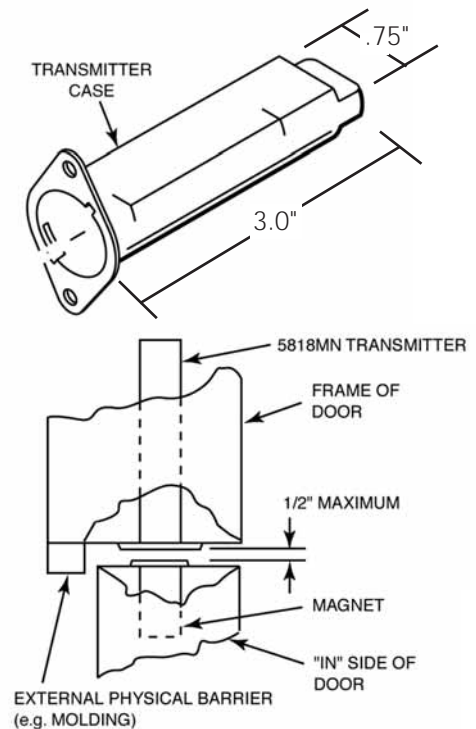
- 345 MHz

Compatibility

- Compatible with all 5800 series wireless devices

Agency Listings

- FCC
- IC
- cULus



ORDERING

5818MNL Recessed Door Transmitter with Lithium battery supplied

Honeywell Security & Custom Electronics

PO Box 9035,
Syosset, NY 11791
www.honeywell.com

L/5818MN/D
November 2006
©2006 Honeywell International Inc.