

# DIGIMERGE | Right for Business



## DCB44DL Ultra Resolution Varifocal IR Bullet Camera

With an Ultra High Resolution of 600 TVL and an easily adjustable Varifocal lens (2.8-12mm), the DCB44DL Echelon Series camera meets the needs of demanding applications. Equipped with 30 LEDs for Night Vision range of up to 75 ft plus an IP66 weatherproof rating - the camera is ideal for outdoor applications. Featuring Advanced Digital Noise Reduction and the convenience of Dual Voltage (12V DC/24V AC), the DCB44DL offers unrivalled performance at exceptional value.

### Features

- ❖ Sony Super HAD™ II / 600TVL
- ❖ Advanced Digital Noise Reduction (DNR)\*
- ❖ 75ft (23m) IR Night Vision Range
- ❖ 2.8 - 12mm Varifocal Lens
- ❖ External Zoom / Focus Adjustment
- ❖ IP66 Weatherproof Rating
- ❖ Cable Through Bracket Design
- ❖ 12V DC /24V AC Operation

\*Default Setting

### Ultra Resolution



Typical

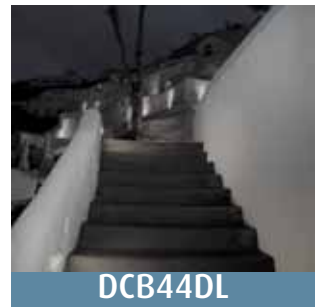


DCB44DL

### Digital Noise Reduction



Typical

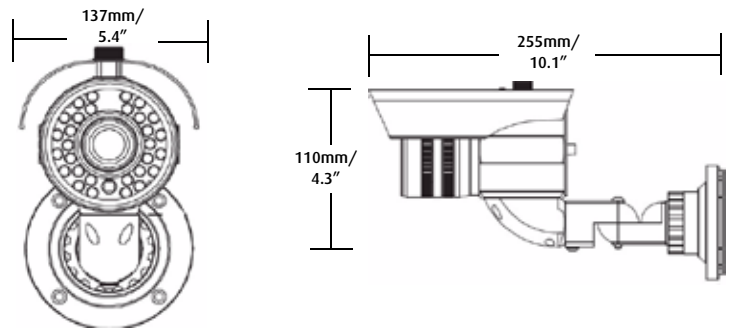


DCB44DL

# Specifications

<b>Image Sensor:</b>	1/3" Sony Super HAD™ II
<b>Video Format/Pixels:</b>	NTSC: 768 (H) x 494 (V)
<b>Horizontal Resolution:</b>	600 TVL
<b>Sync. &amp; Scan. Systems:</b>	Internal; 2:1 Interlace
<b>S/N Ratio</b>	> 50dB (AGC off)
<b>Iris &amp; Shutter Speed:</b>	AES; 1/60 ~ 1/100,000 sec.
<b>Minimum Illumination:</b>	0.2 LUX @ F2.0 (IR Off) 0 LUX (IR LEDs ON)
<b>IR Range:</b>	75ft (23m); 30 LEDs
<b>Video Output:</b>	Comp. 1.0 Vpp @ 75ohm
<b>Lens Focal Length / Type:</b>	2.8-12mm F1.4 / Varifocal
<b>FOV (horizontal):</b>	25 - 88 degrees
<b>Termination:</b>	Video: BNC Female
<b>Power Requirement:</b>	12V DC/ 24V AC ±10%
<b>Power Consumption:</b>	12V - 500 MA 24V - 330 mA
<b>Operating Temp.:</b>	-4°F ~ 122°F
<b>Dimensions (LxWxH):</b>	Height: 85mm / 3.4" Width: 137mm / 5.4" Length: 255mm / 10.1"
<b>Weight (with Stand):</b>	0.9kg / 1.9lbs

## Dimensions



## Product Information

<b>UPC:</b>	8-41430-00655-8
<b>Weight:</b>	1.07kg / 2.4lbs
<b>Package Dimensions:</b> (W x D x H)	270mm x 120mm x 150.5mm 10.6" x 4.7" x 5.9"
<b>Package Cube:</b>	0.0049 cbm / 0.173cu ft